

Typ: KTRTB-211.108



Art.-No.: MA700300

Features:

Electronic climate controller with Triac ultra-thin, AP, 5...30°C, pure white like RAL 9010, 230VAC, 15W

Application:

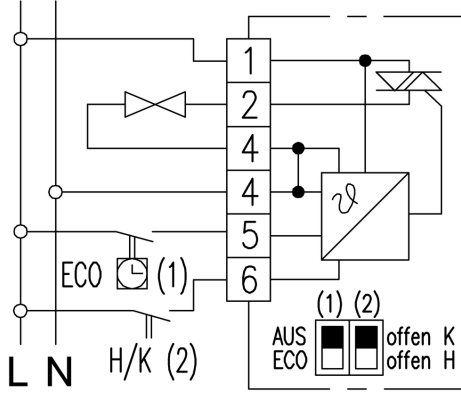
Technical Data:

Dimensions of housing:	78 x 13,9 x 78,5 mm
Dimensions of packaging:	80 x 20 x 85 mm
Number of outputs:	1
Number, control range:	1
Output signal:	switching PWM (230 VAC, 50 Hz)
External setting:	yes
Rated impulse voltage:	4000 V
Operating mode off with frost protection monitoring:	yes
Operating voltage:	230 VAC, 50 Hz
Design:	Berlin 1000
Eco function:	yes
ECO contact:	230 VAC, 50 Hz, optionally configurable as ECO- or OFF function
setting range to:	30
setting range from:	5
Electrical connection:	Screw-type terminals 0.5 mm ² to 1.5 mm ²

Colour of housing:	pure white, like RAL 9010
Sensor:	NTC, internal
Weight:	approx. 70 g
Heating cooling:	yes
Output, heating/cooling:	yes
Hysteresis:	0 K, since control is practically continuous
Chilled ceiling:	yes
Storage temperature:	-20...+70 °C
Material of housing:	ABS plastic
max. power consumption:	
max. switching voltage:	230 VAC, 50 Hz
max. switching current:	65 mA
mechanical range setting:	yes
Medium:	Air, not aggressive
min. switching voltage:	230 VAC, 50 Hz
Installation/fastening:	Surface-/wall-mounting (4-hole assembly on flush-mounted socket)
Surface quality:	glossy
potential-free:	no
Proportional range:	approx. 1 K
Control range up to:	30
Control range from:	5
Control function:	Heating or cooling
Switching element:	Triac
Switching contact:	Break contact
Switching power:	15 W
Degree of protection:	IP 30
Protection class:	II, if properly mounted
Safety and EMC:	according to DIN EN 60730
Scale - degrees Celsius:	yes
Ambient temperature up to:	40
Ambient temperature from:	0
Degree of fouling:	2
Accessories:	suitable valve actuators: ZBOOA-010.100
Permissible atmospheric humidity:	max. 95% r.h., non-condensing

Circuit Diagram:

230V~



(1) (2)
AUS ■ ■ offen K
ECO □ □ offen H